



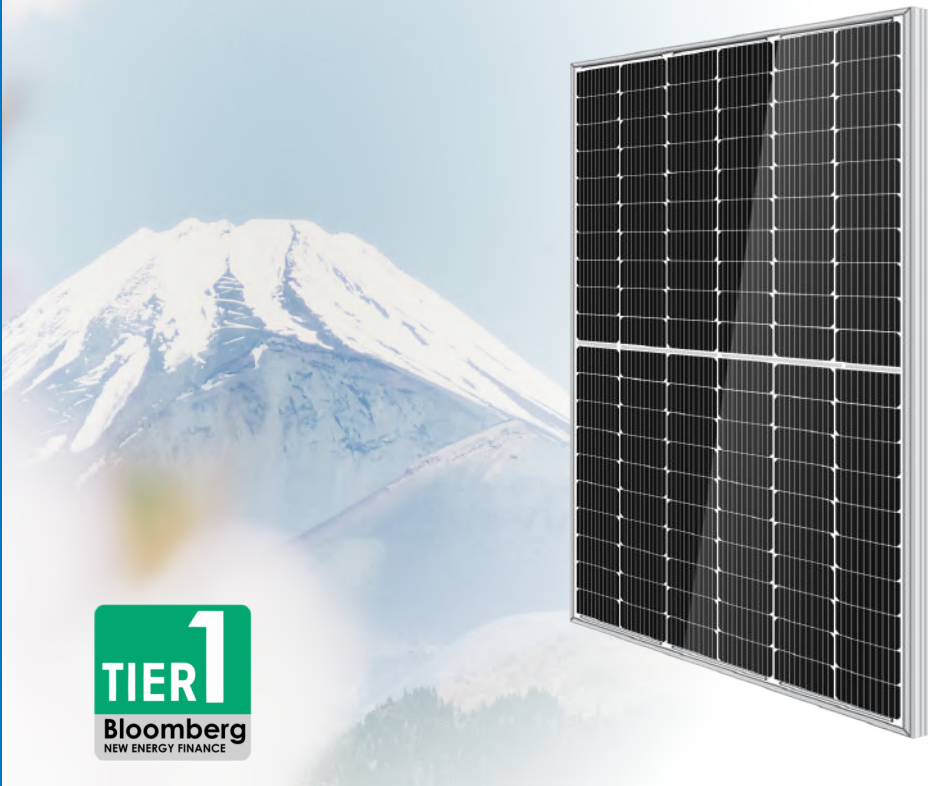
Monofacial

**Bifacial**

# LP182\*182-M-60-MB

## PERC Dual Glass

Rated Power 440-455W



**MBB Cell**  
New circuit design, lower internal current, lower internal resistance loss.



**Low Light Features**  
Higher performance under low light environment.



**Bifacial with dual glass**  
Module adopts 182\*182mm half cells, bifacial module provide an additional 5%~25% output.



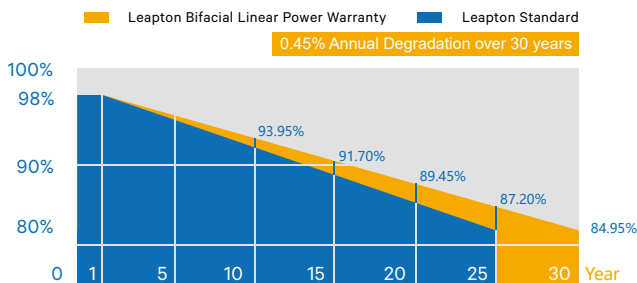
**PID Protection**  
Ensure the attenuation probability caused by PID phenomenon is minimized.



**Harsh Environmental Adaptability**  
Strict salt spray and ammonia corrosion test by TUV Nord.



**Load Capacity**  
Mechanical load tests including wind load 2400 Pa and snow load 5400 Pa done by TUV Nord.



Headquarter : Leapton Energy Co., Ltd.

Tosei Bldg. 6F, 1-2-1 Aioi-cho, Chuo-ku Kobe-shi, Hyogo, 650-0025, Japan

+81-78-382-3182

www.leaptonenergy.jp

Manufacturer : Leapton Solar (Changshu) Co., Ltd.

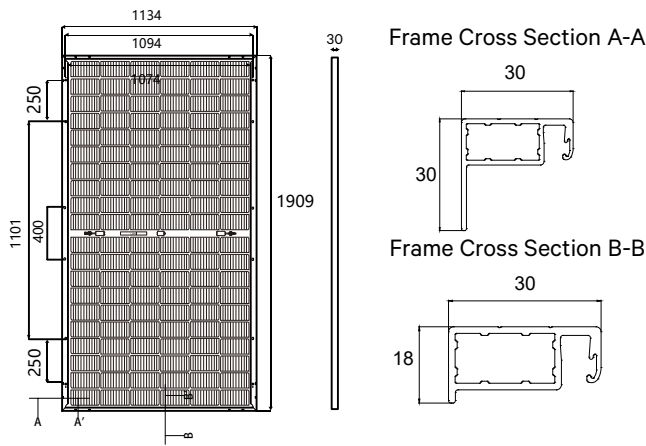
No.9, Sunshine Avenue, Changshu City, Jiangsu, China

+86-512-88800068

info@leaptonenergy.com

www.leaptonpv.com

## MECHANICAL DIAGRAMS



## SPECIFICATIONS

Weight	26.5kg
Dimensions	1909mm*1134mm*30mm
Cell Dimensions	182*182mm
Cell Amount	60*2 pcs
Maximum System Voltage	1500V
Junction Box	IP68
Frame	Aluminum Alloy
Cable	4mm <sup>2</sup> , N 1200mm/P 1200mm for Horizontal installation 4mm <sup>2</sup> , N 300mm/P 300mm for Vertical installation
Connector	MC4 compatible
Application Level	Class A
Bifaciality	70±5%

## ELECTRICAL PARAMETERS AT STC

Power	440W	445W	450W	455W
Open Circuit Voltage	41.00V	41.20V	41.40V	41.60V
Short Circuit Current	13.58A	13.63A	13.68A	13.73A
Maximum Power Voltage	34.20V	34.50V	34.70V	34.90V
Maximum Power Current	12.84A	12.90A	12.96A	13.02A
Module Efficiency	20.33%	20.56%	20.79%	21.02%

\* Under Standard Test Conditions (STC) of irradiance of 1000 W/m<sup>2</sup>, spectrum AM 1.5 and cell temperature of 25°C.

## ELECTRICAL PARAMETERS AT NMOT

Power	329W	333W	337W	341W
Open Circuit Voltage	38.54V	38.73V	38.92V	39.10V
Short Circuit Current	11.08A	11.16A	11.23A	11.31A
Maximum Power Voltage	31.82V	32.08V	32.28V	32.45V
Maximum Power Current	10.34A	10.38A	10.44A	10.51A
Module Efficiency	15.20%	15.38%	15.57%	15.75%

\* Under Nominal Module Operating Temperature (NMOT), irradiance of 800 W/m<sup>2</sup>, spectrum AM 1.5, ambient temperature 20°C, wind speed 1 m/s.

## ELECTRICAL PARAMETERS ( AT 10% BIFACIAL POWER OUTPUT )

Output Power	484W	490W	495W	501W
Open Circuit Voltage	41.02V	41.22V	41.42V	41.62V
Short Circuit Current	14.84A	14.91A	14.95A	15.02A
Maximum Power Voltage	34.22V	34.52V	34.72V	34.92V
Maximum Power Current	14.15A	14.20A	14.26A	14.35A

## TEMPERATURE CHARACTERISTICS

NMOT	41±3°C	Temp Coefficient of ISC	+0.05%/°C
Temp Coefficient of VOC	-0.265%/°C	Temp Coefficient of Pmax	-0.34%/°C

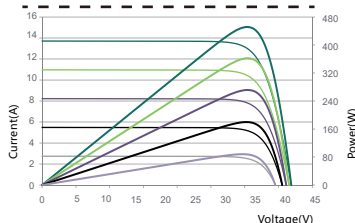
## PACKING CONFIGURATION

Modules/Pallet	36 Pieces	Modules/40'Container	864 Pieces
----------------	-----------	----------------------	------------

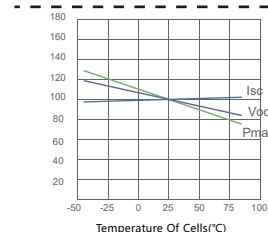
Packing Description 24 Pallets, Total=(36+36)x12=864 Pieces

## CHARACTERISTICS

LP182\*182-M-60-MB-450W



LP182\*182-M-60-MB-450W



## MAXIMUM RATING

Output Tolerance	0~+5W
Operating Temperature	-40°C~+85°C
Wind Load/Snow Load	2400pa/5400pa
Fuse Current	25A

**25** YEARS Quality Warranty

**30** YEARS Power Warranty

Headquarter : Lepton Energy Co., Ltd.

📍 Tosei Bldg. 6F, 1-2-1 Aioi-cho, Chuo-ku Kobe-shi, Hyogo, 650-0025, Japan

☎ +81-78-382-3182

🌐 www.leptonenergy.jp

Manufacturer : Lepton Solar (Changshu) Co., Ltd.

📍 No.9, Sunshine Avenue, Changshu City, Jiangsu, China

☎ +86-512-88800068

✉ info@leptonenergy.com

🌐 www.leptonpv.com