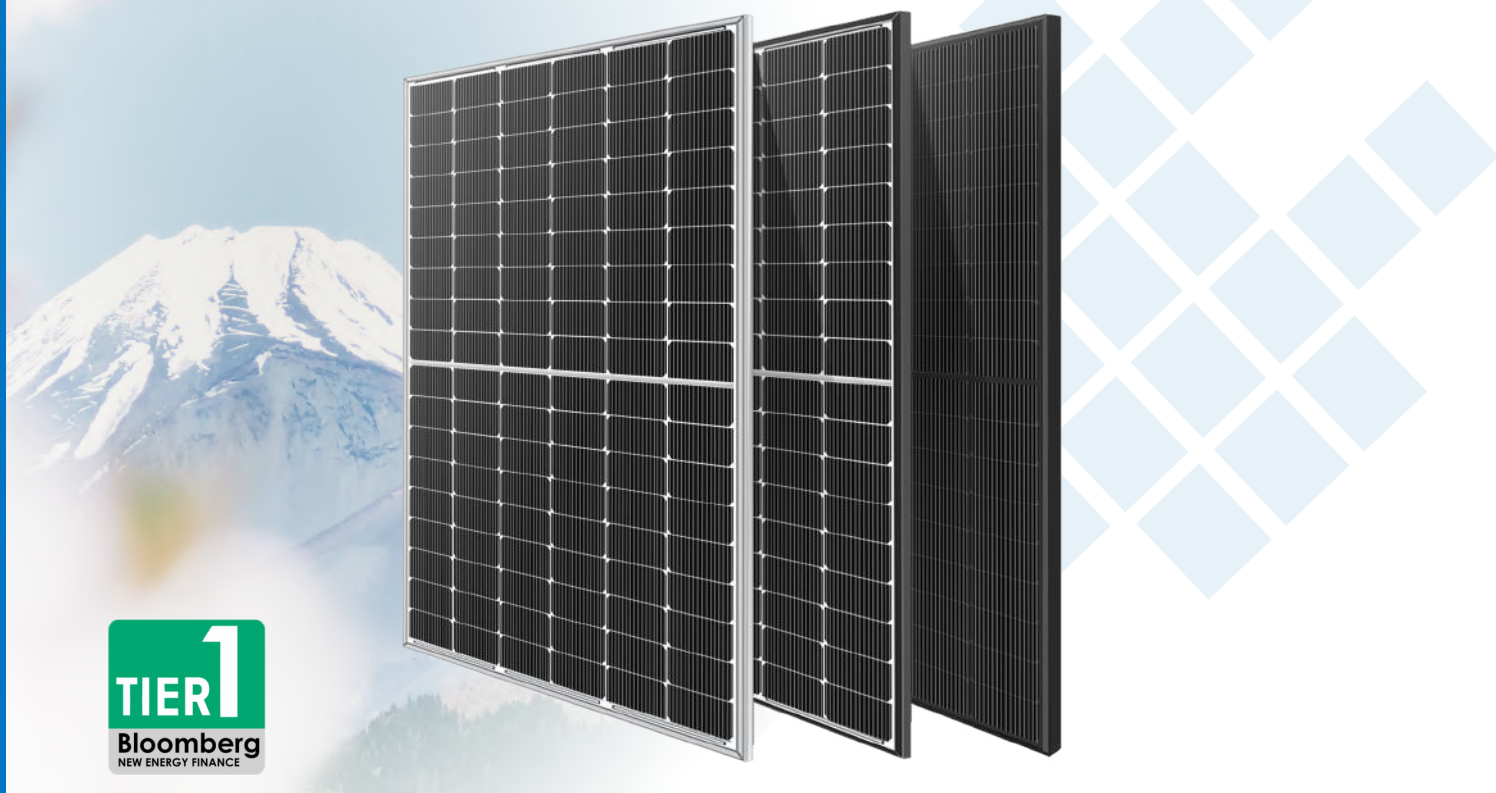


# LP182\*182-M-54-NH

## N-Type TOPCon

Rated Power 420-440W



**N-Type MBB Cell**  
New circuit design N-type cells, can increase the output power of 10W~20W



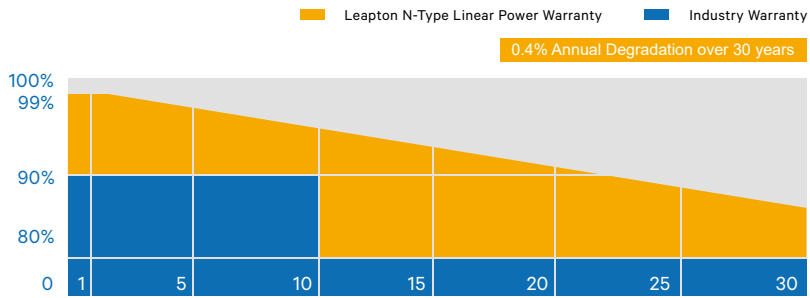
**Low Light Features**  
Higher performance under low light environment.



**Higher Output Power**  
Module adopts 108 pcs of 182\*182mm half cells, the maximum power can reach 440W.



**Load Capacity**  
Mechanical load tests including wind load 2400 Pa and snow load 5400 Pa done by TUV Nord.



Headquarter : Lepton Energy Co., Ltd.

Tosei Bldg. 6F, 1-2-1 Aioi-cho, Chuo-ku Kobe-shi, Hyogo, 650-0025, Japan

+81-78-382-3182

www.leptonenergy.jp

Manufacturer : Lepton Solar (Changshu) Co., Ltd.

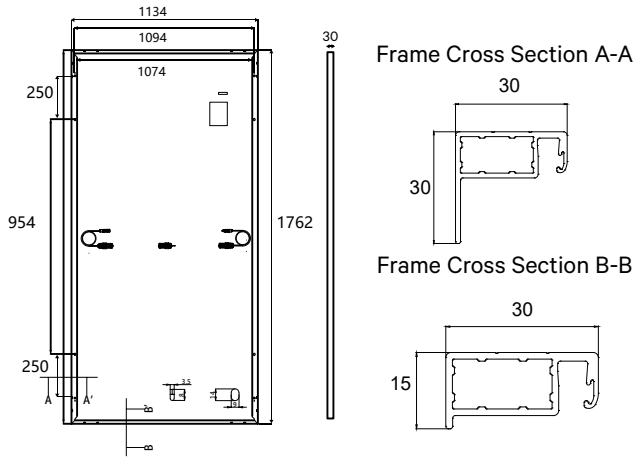
No.9, Sunshine Avenue, Changshu City, Jiangsu, China

+86-512-88800068

info@leptonenergy.com

www.leptonpv.com

## MECHANICAL DIAGRAMS



## SPECIFICATIONS

Weight	22kg
Dimensions	1762mm*1134mm*30mm
Cell Dimensions	182*182mm
Cell Amount	54*2 pcs
Maximum System Voltage	1500V
Junction Box	IP68
Frame	Aluminum Alloy
Cable	4mm <sup>2</sup> , N 1100mm/P 1100mm for Horizontal installation 4mm <sup>2</sup> , N 300mm/P 300mm for Vertical installation
Connector	MC4 compatible
Application Level	Class A

## ELECTRICAL PARAMETERS AT STC

Power	420W	425W	430W	435W	440W
Open Circuit Voltage	38.58V	38.78V	38.97V	39.18V	39.40V
Short Circuit Current	13.66A	13.73A	13.81A	13.89A	13.96A
Maximum Power Voltage	32.01V	32.20V	32.40V	32.61V	32.83V
Maximum Power Current	13.12A	13.20A	13.27A	13.34A	13.40A
Module Efficiency	21.02%	21.27%	21.52%	21.77%	22.02%

\* Under Standard Test Conditions (STC) of irradiance of 1000 W/m<sup>2</sup>, spectrum AM 1.5 and cell temperature of 25°C.

## ELECTRICAL PARAMETERS AT NMOT

Power	316W	320W	324W	327W	331W
Open Circuit Voltage	36.65V	36.83V	37.02V	37.22V	37.43V
Short Circuit Current	10.96A	11.02A	11.09A	11.14A	11.19A
Maximum Power Voltage	29.81V	29.96V	30.08V	30.31V	30.53V
Maximum Power Current	10.60A	10.68A	10.77A	10.79A	10.84A
Module Efficiency	15.81%	16.01%	16.20%	16.37%	16.57%

\* Under Nominal Module Operating Temperature (NMOT), irradiance of 800 W/m<sup>2</sup>, spectrum AM 1.5, ambient temperature 20°C, wind speed 1 m/s.

## TEMPERATURE CHARACTERISTICS

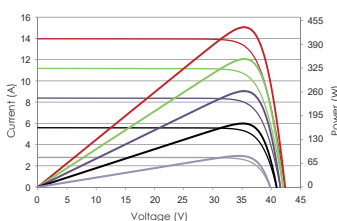
NMOT	41±3°C	Temp Coefficient of ISC	+0.046%/°C
Temp Coefficient of VOC	-0.25%/°C	Temp Coefficient of Pmax	-0.30%/°C

## PACKING CONFIGURATION

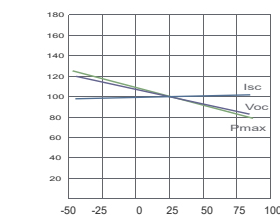
Modules/Pallet	36 Pieces	Modules/40'Container	936 Pieces
Packing Description	26 Pallets, Total=(36+36)x13=936 Pieces		

## CHARACTERISTICS

LP182\*182-M-54-NH-430W



LP182\*182-M-54-NH-430W



## MAXIMUM RATING

Output Tolerance	0~+5W
Operating Temperature	-40°C~+85°C
Wind Load/Snow Load	2400pa/5400pa
Fuse Current	25A



Headquarter : Lepton Energy Co., Ltd.

☑ Tosei Bldg. 6F, 1-2-1 Aioi-cho, Chuo-ku Kobe-shi, Hyogo, 650-0025, Japan

☎ +81-78-382-3182

🌐 www.leptonenergy.jp

Manufacturer : Lepton Solar (Changshu) Co., Ltd.

☑ No.9, Sunshine Avenue, Changshu City, Jiangsu, China

☎ +86-512-88800068

✉ info@leptonenergy.com

🌐 www.leptonpv.com