



Monofacial

Bifacial

LP182*182-M-78-NH

N-Type TOPCon

Rated Power 610-625W



N-Type MBB Cell
New circuit design N-type cells, can increase the output power of 10W~20W



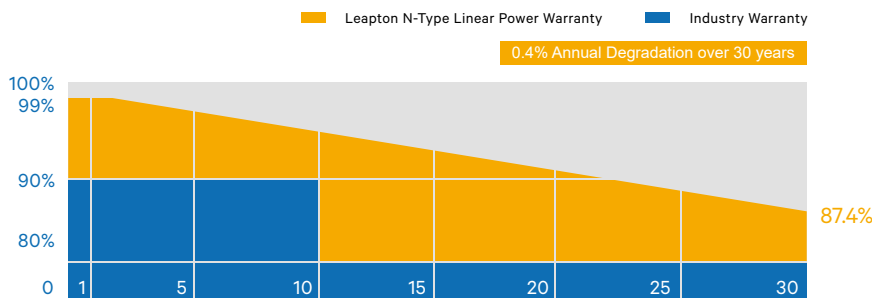
Low Light Features
Higher performance under low light environment.



Higher Output Power
Module adopts 156 pcs of 182*182mm half cells, the maximum power can reach 625W.



Load Capacity
Mechanical load tests including wind load 2400 Pa and snow load 5400 Pa done by TUV Nord.



Headquarter : Leapton Energy Co., Ltd.

Tosei Bldg. 6F, 1-2-1 Aioi-cho, Chuo-ku Kobe-shi, Hyogo, 650-0025, Japan

+81-78-382-3182

www.leaptonenergy.jp

Manufacturer : Leapton Solar (Changshu) Co., Ltd.

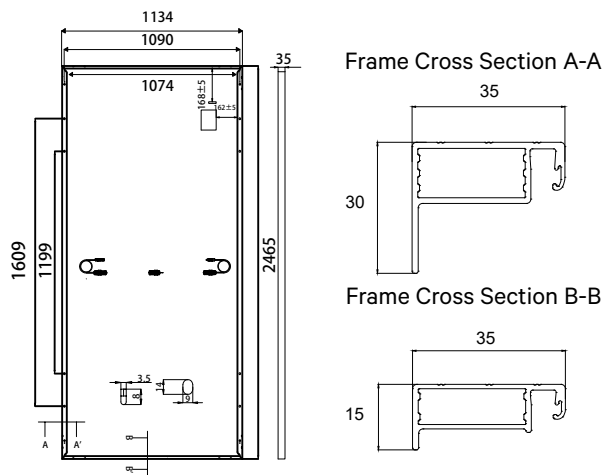
No.9, Sunshine Avenue, Changshu City, Jiangsu, China

+86-512-88800068

info@leaptonenergy.com

www.leaptonpv.com

MECHANICAL DIAGRAMS



SPECIFICATIONS

| | |
|------------------------|--|
| Weight | 29.3kg |
| Dimensions | 2465mm*1134mm*35mm |
| Cell Dimensions | 182*182mm |
| Cell Amount | 78*2 pcs |
| Maximum System Voltage | 1500V |
| Junction Box | IP68 |
| Frame | Aluminum Alloy |
| Cable | 4mm ² , N 1500mm/P 1500mm for Horizontal installation 4mm ² , N 300mm/P 300mm for Vertical installation |
| Connector | MC4 compatible |
| Application Level | Class A |

ELECTRICAL PARAMETERS AT STC

| | | | | |
|-----------------------|--------|--------|--------|--------|
| Power | 610W | 615W | 620W | 625W |
| Open Circuit Voltage | 55.33V | 55.48V | 55.63V | 55.78V |
| Short Circuit Current | 14.09A | 14.16A | 14.23A | 14.30A |
| Maximum Power Voltage | 45.66V | 45.76V | 45.86V | 45.96V |
| Maximum Power Current | 13.36A | 13.44A | 13.52A | 13.60A |
| Module Efficiency | 21.82% | 22.00% | 22.18% | 22.36% |

* Under Standard Test Conditions (STC) of irradiance of 1000 W/m², spectrum AM 1.5 and cell temperature of 25°C.

ELECTRICAL PARAMETERS AT NMOT

| | | | | |
|-----------------------|--------|--------|--------|--------|
| Power | 459W | 463W | 467W | 470W |
| Open Circuit Voltage | 52.56V | 52.70V | 52.84V | 52.98V |
| Short Circuit Current | 11.37A | 11.43A | 11.48A | 11.54A |
| Maximum Power Voltage | 42.38V | 42.49V | 42.61V | 42.72V |
| Maximum Power Current | 10.83A | 10.89A | 10.95A | 11.01A |
| Module Efficiency | 16.42% | 16.56% | 16.71% | 16.81% |

* Under Nominal Module Operating Temperature (NMOT), irradiance of 800 W/m², spectrum AM 1.5, ambient temperature 20°C, wind speed 1 m/s.

TEMPERATURE CHARACTERISTICS

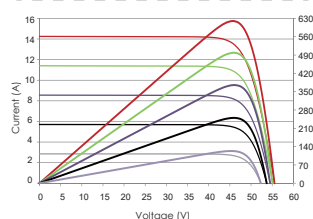
| | | | |
|-------------------------|-----------|--------------------------|------------|
| NMOT | 41±3°C | Temp Coefficient of ISC | +0.046%/°C |
| Temp Coefficient of VOC | -0.25%/°C | Temp Coefficient of Pmax | -0.30%/°C |

PACKING CONFIGURATION

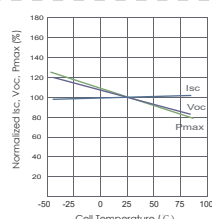
| | | | |
|---------------------|--|----------------------|------------|
| Modules/Pallet | 31 Pieces | Modules/40'Container | 558 Pieces |
| Packing Description | 17 Pallets, Total=(31+31)x9=558 Pieces | | |

CHARACTERISTICS

LP182*182-M-78-NH-620W



LP182*182-M-78-NH-620W



MAXIMUM RATING

| | |
|-----------------------|---------------|
| Output Tolerance | 0~+5W |
| Operating Temperature | -40°C~+85°C |
| Wind Load/Snow Load | 2400pa/5400pa |
| Fuse Current | 25A |



Headquarter : Lepton Energy Co., Ltd.

📍 Tosei Bldg. 6F, 1-2-1 Aioi-cho, Chuo-ku Kobe-shi, Hyogo, 650-0025, Japan

☎ +81-78-382-3182

🌐 www.leptonenergy.jp

Manufacturer : Lepton Solar (Changshu) Co., Ltd.

📍 No.9, Sunshine Avenue, Changshu City, Jiangsu, China

☎ +86-512-88800068

✉ info@leptonenergy.com

🌐 www.leptonpv.com